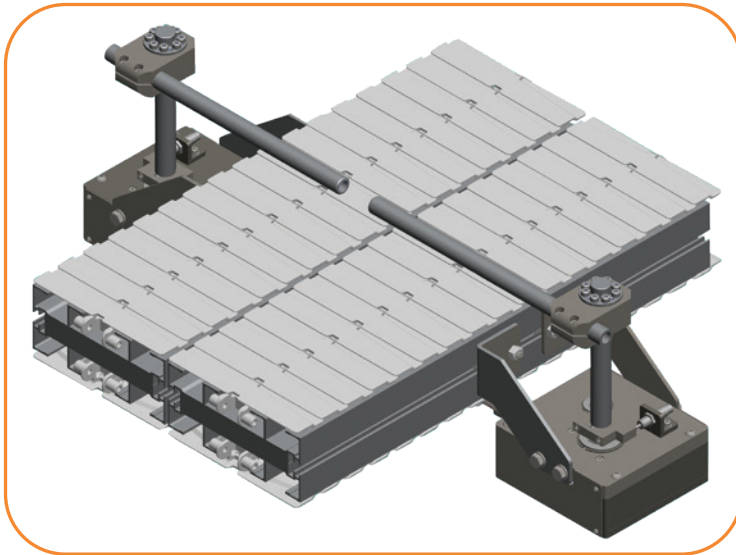




# FlexMove®

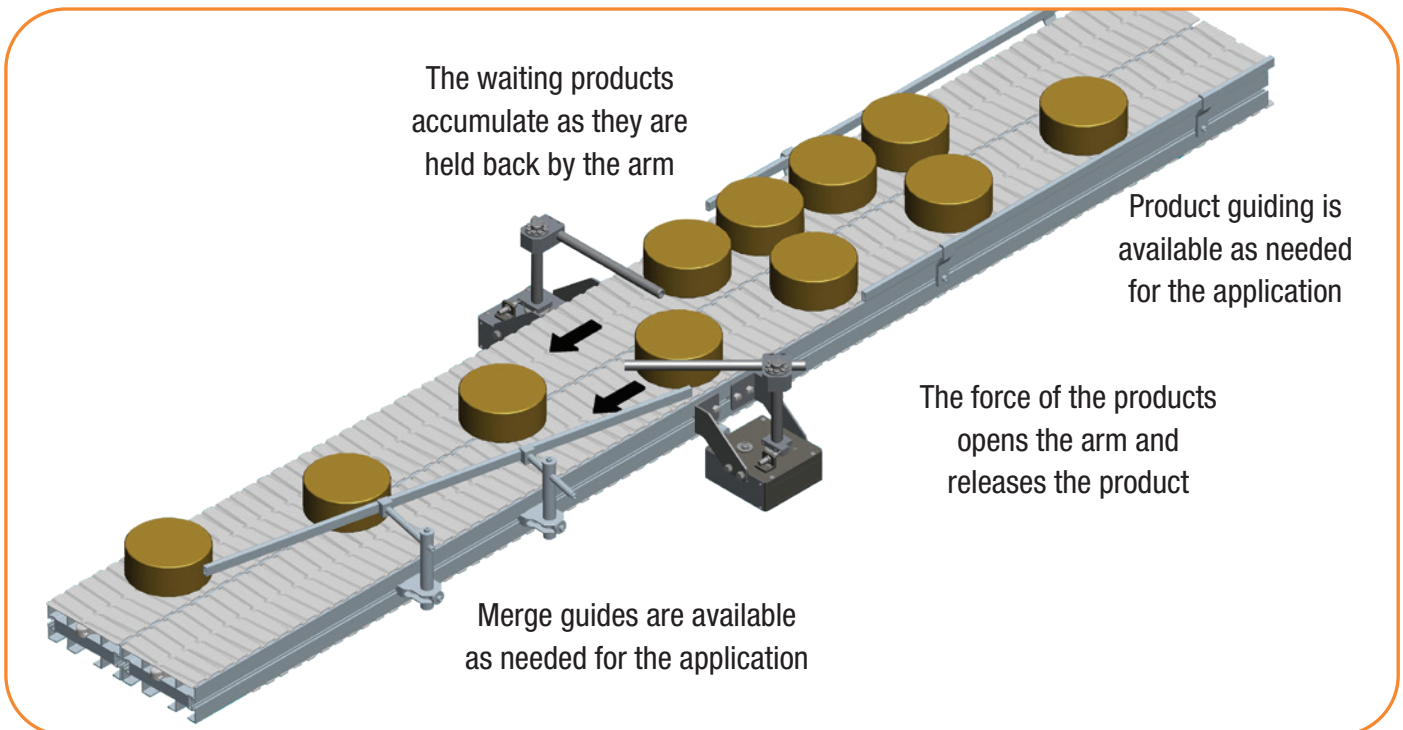
## SIDE ACTING MERGE MODULE



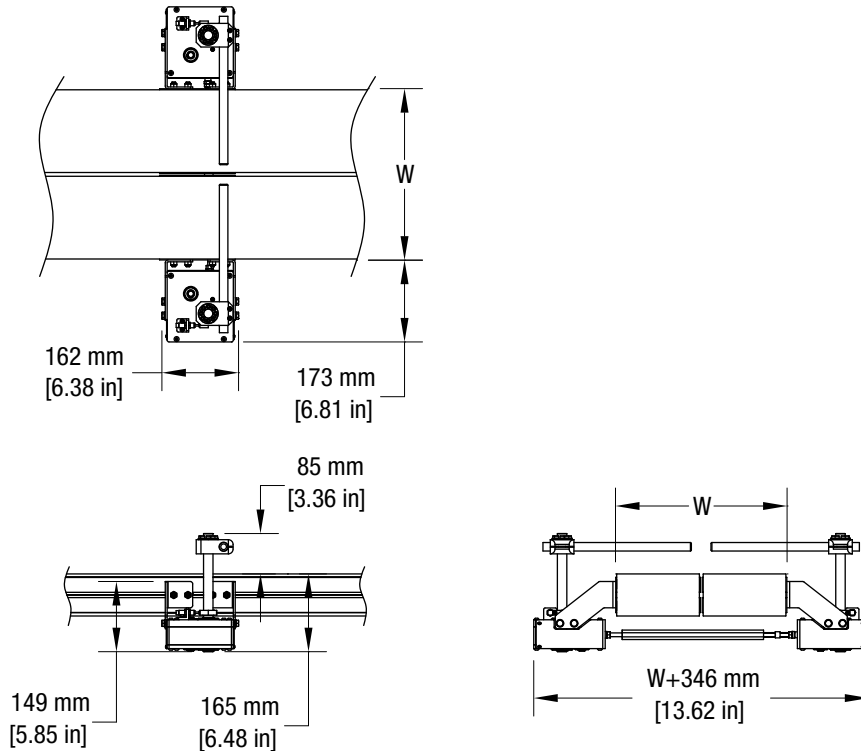
- Two-to-one lane merging without the need for control logic
- First in, first out style merge
- Opposite lane will proceed once the first lane exits or large product gap exists
- Activate arm is adjustable in both height and length
- Completely mechanical design, does not require electrical components, programming or air
- Easily modify the force required to activate the divert arm
- Designed for operator safety, no guarding required

### Features & Specifications

- Available on FlexMove Aluminium Conveyors, FS (65 mm), FM (85 mm), FC (105 mm), FL (150 mm), FU (180 mm) and FV (260 mm)
- Product must be able to withstand some back pressure
- Side Acting Merger is not suitable for high speed applications
- Min. Single Product Weight: 0.5 kg
- Max. Single Product Weight: 15 kg
- Max. Product Accumulation Weight: Up to 45 kg



## Dimensions



Part Number: FZTC-SA-Wxxx

Where xxx = total width of merge area (W above)

## Transforming Conveyor Automation

### Dorner – North & South America

#### Dorner – U.S.A.

##### Headquarters

975 Cottonwood Ave  
Hartland, WI 53029, USA  
(800) 397-8664  
(262) 367-7600  
info@dorner.com

#### Dorner – Canada

100-5515 North Service Road  
Burlington, Ontario L7L 6G6  
Canada  
(289) 208-7306  
info@dorner.com

#### Dorner – Latin America

Carretera a Nogales #5297,  
Nave 11. Parque Industrial Nogales  
Zapopan, Jalisco C.P. 45222  
Mexico  
+52.33.30037400  
info.latinamerica@dorner.com



### Dorner – Europe

#### Dorner – Germany

Karl-Heinz-Beckurts-Straße 7  
52428 Jülich,  
Germany  
+49 (0) 2461/93767-0  
info.europe@dorner.com

#### Dorner – France

8 rue des Frères Caudron  
78140 Velizy-Villacoublay  
France  
+33 (0)1 84 73 24 27  
info.france@dorner.com

### Dorner – Asia

128 Jalan Permatang Damar Laut, Bayan Lepas 11960  
Penang, Malaysia  
+604-626-2948 | info.asia@dorner.com



[www.dornerconveyors.com](http://www.dornerconveyors.com)