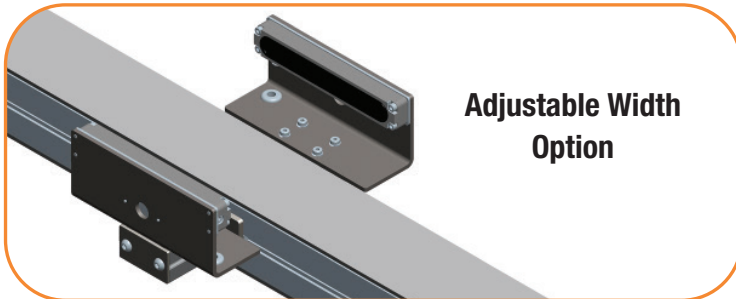


**Fixed Width
Option**

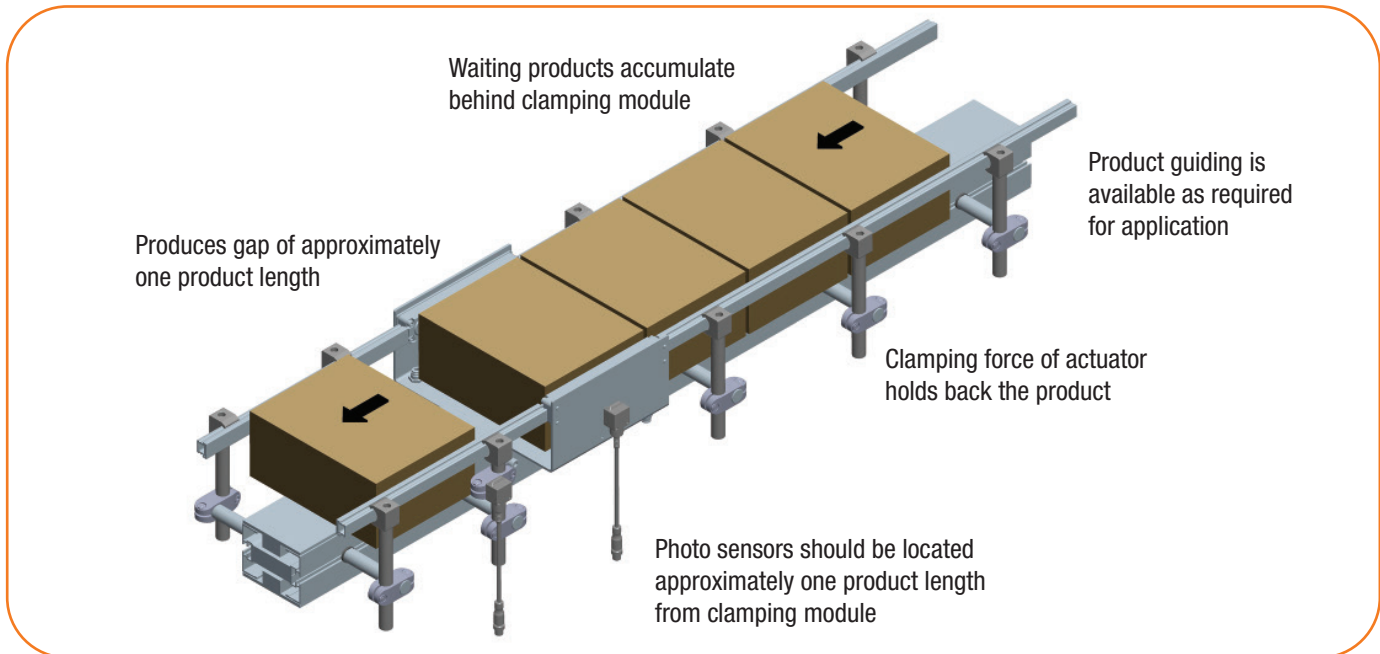


**Adjustable Width
Option**

- Pneumatic clamping actuator, mounted on both sides of the conveyor, holds back and paces product
- Ability to pace products back to back
- Ideal for totes, boxes, bottles and square, round, and rectangular containers
- Product must be able to withstand some back pressure and squeezing force
- Requires photo sensors, pneumatic solenoid valves, wiring, and programming
- Rate depends on product size. Contact factory for details

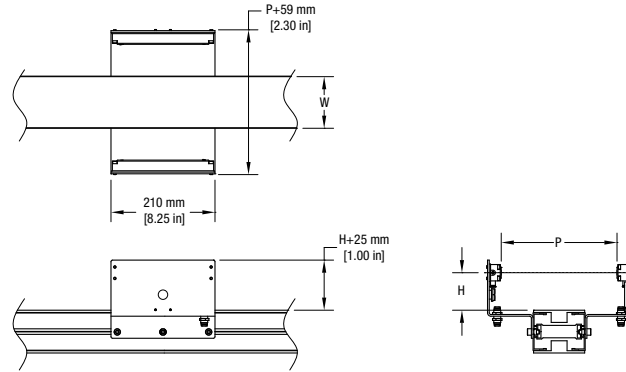
Features & Specifications

- Available on FlexMove Aluminum Conveyors, FS (65 mm), FM (85 mm), FC (105 mm), FL (150 mm), FU (180 mm), and FV (260 mm)
- Max. single product weight: 2.3 Kg (5 lbs.)
- Max. product accumulation weight: 13.6 Kg (30 lbs.)
- Specify product width at time of ordering
- Specify centerline of clamping actuator above conveyor chain at time of ordering
- Max. conveyor speed: 50 m/min (164 ft/min)
- Produces gap of approximately one product length
- Includes mounting for photo sensor with 18 mm barrel

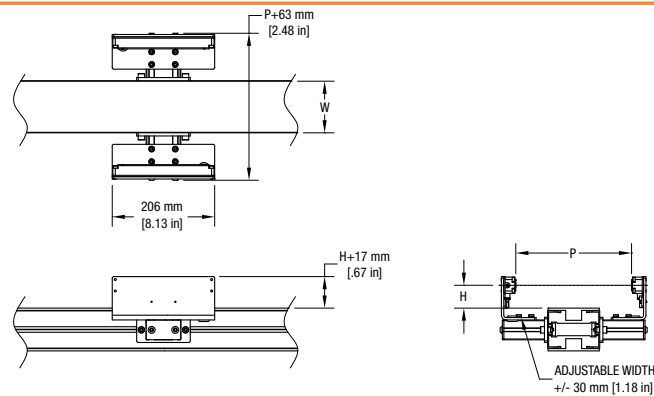


Dimensions

Fixed Width Option



Adjustable Width Option



Specify at time of order:

W = conveyor width

P = product width

H = centerline of clamping actuator above conveyor chain

Transforming Conveyor Automation

Dorner – North & South America

Dorner – U.S.A.

Headquarters

975 Cottonwood Ave
Hartland, WI 53029, USA
(800) 397-8664
(262) 367-7600
info@dorner.com

Dorner – Canada

100-5515 North Service Road
Burlington, Ontario L7L 6G6
Canada
(289) 208-7306
info@dorner.com

Dorner – Latin America

Carretera a Nogales #5297,
Nave 11. Parque Industrial Nogales
Zapopan, Jalisco C.P. 45222
Mexico
+52.33.30037400
info.latinamerica@dorner.com



Dorner – Europe

Dorner – Germany

Karl-Heinz-Beckurts-Straße 7
52428 Jülich,
Germany
+49 (0) 2461/93767-0
info.europe@dorner.com

Dorner – France

8 rue des Frères Caudron
78140 Velizy-Villacoublay
France
+33 (0)1 84 73 24 27
info.france@dorner.com

Dorner – Asia

128 Jalan Permatang Damar Laut, Bayan Lepas 11960
Penang, Malaysia
+604-626-2948 | info.asia@dorner.com



www.dornerconveyors.com