

FDA Approved Materials
& Components

Fast, Simple to Use
Online Configurator

Rapid Deliveries

BISSC
Certified Conveyors



AquaGard[®]

LP & 7350 SERIES CONVEYORS

Stainless Steel Conveyors for Dry, Wipe Down
and Wet Applications

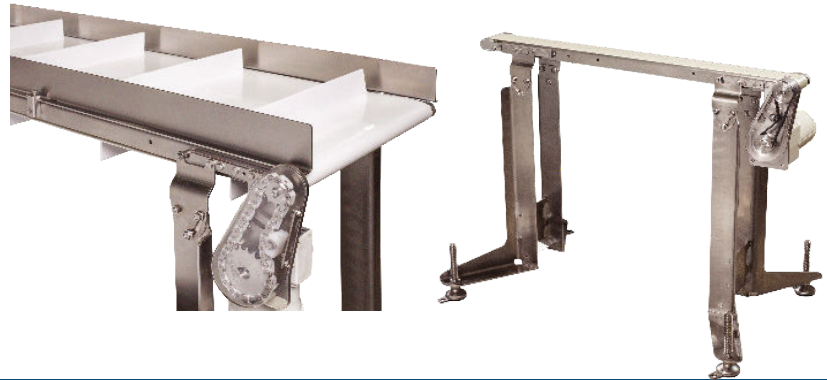
DORNER[®]

Dorner AquaGard Conveyors are Best for:

- Baking
- Packaged Foods
- Pet Foods
- Secondary Packaging
- Snack Foods
- Tight Transfers
- Confectionary
- Elevation Changes
- And More!

LP Series Specifications

- Belted and Cleated Belt Models
- Loads up to 22.7 kg (50 lbs)
- Widths: 70 mm (2.75 in) to 457 mm (18 in)
- Lengths: 500 mm (19.1 in) to 8,485 mm (18 ft)
- Robust welded 304 Stainless Steel frame
- Available in straights only



7350 Series Specifications

- Belted, Cleated Belt, Modular Belt, Modular Cleated Belt Models and Positive Drive Options
- Loads up to 341 kg (750 lbs)
- Widths: 152 mm (6 in) to 914 mm (36 in)
- Lengths: 914 mm (3 ft) to 25,000 mm (82 ft)
- FDA approved belting and plastic components
- 304 stainless steel frame
- Available in straights, curves or Z-Frame configurations



Positive Drive



Straights



Curves
(Modular Belt Only)



LPZ (Z-Frames), Nose Over
& Horizontal to Incline

Options



Nose Bar Transfers



Powered Transfers



Variety of Guiding Options

Other options available including Roller Transfers, Chutes, Drip Pans, Formed Angle Stands, Hoppers and more.

INDUSTRY LEADING TECHNOLOGY *AquaGard*[®]

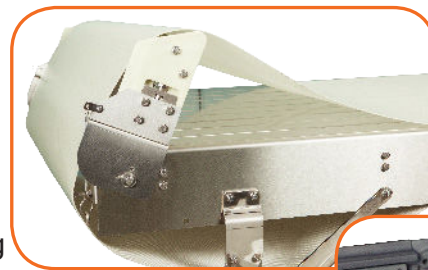
Sleek, Low Profile Design - LP Series

- Quick, five-minute belt change for increased uptime
- Bolt slider mechanism for fast, single point belt tensioning
- V-Groove frame with V-Guided belt ensures accurate tracking
- Streamlined design fits where other conveyors do not
- Low profile, robust welded frame design, for easy cleaning
- Small 31.75 mm (1-1/4 in) diameter end rollers for transfer of small products



Rugged and Durable Design - 7350 Series

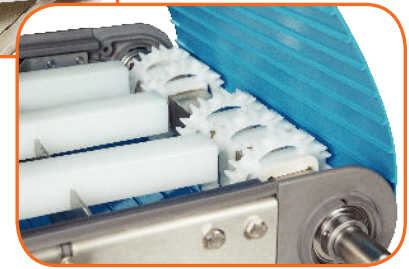
- 304 Stainless Steel frame features open design with minimal horizontal surfaces
- Designed for wipe down and low pressure wash-down with non-caustic chemicals
- V-guided belt tracking on belted models
- Tip-up tails for access inside the conveyor for cleaning and maintenance
- Safest chain in the industry with chain openings less than 4 mm even on curves
- Unique chain design virtually eliminates friction providing capacity for up to 4 curves on a single conveyor



Tip-Up Tails



Innovative Chain Design



Positive Drive Belt

Engineered Solutions

- Dorner's Engineered Solutions Group can tailor fit AquaGard Conveyors for specific applications and product handling requirements
- With a custom-designed conveyor system in place and the help of highly specialized engineering, your products are processed faster, your services are delivered quicker, and your profits are increased
- Solutions include: chicaning, retracting tails, depositing and rejects, merging, product flow, and more!



The Benefits of Dorner AquaGard Conveyors

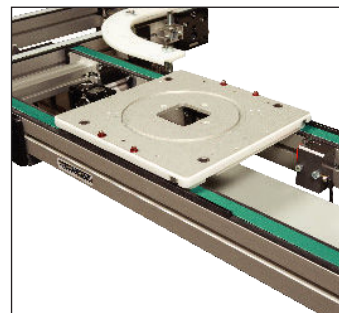
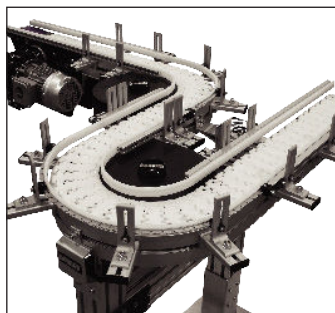
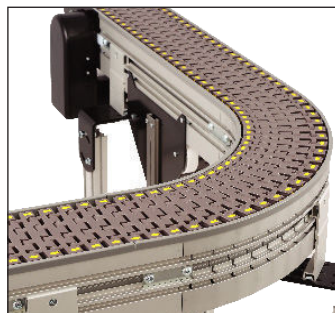
Industry Ready

- Designed and manufactured to food equipment standards
- BISSC certified conveyors
- FDA approved materials and components
- Washdown rated gearmotors and controls

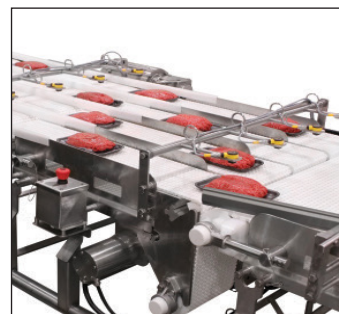
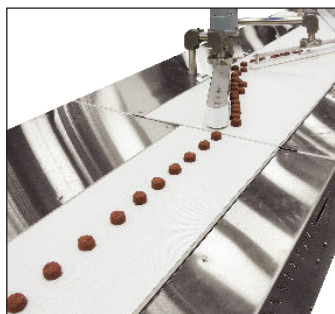
A Focus on Speed

- Dorner sets the industry standard for rapid delivery
- Sanitary conveyors ship in as little as 10 business days
- Fast and effective design reduces cleaning preparation time

Industrial & Automation Conveyors



Sanitary Conveyors



Engineered Solutions



Parts

Service

Online Configurator

Warranty

Transforming Conveyor Automation

Dorner – North & South America

Dorner – U.S.A.

Headquarters
975 Cottonwood Ave
Hartland, WI 53029, USA
(800) 397-8664
(262) 367-7600
info@dorner.com

Dorner – Canada

100-5515 North Service Road
Burlington, Ontario L7L 6G6
Canada
(289) 208-7306
info@dorner.com

Dorner – Latin America

Carretera a Nogales #5297,
Nave 11. Parque Industrial Nogales
Zapopan, Jalisco C.P. 45222
Mexico
+52.33.30037400
info.latinamerica@dorner.com

DORNER®



Dorner – Europe

Dorner – Germany

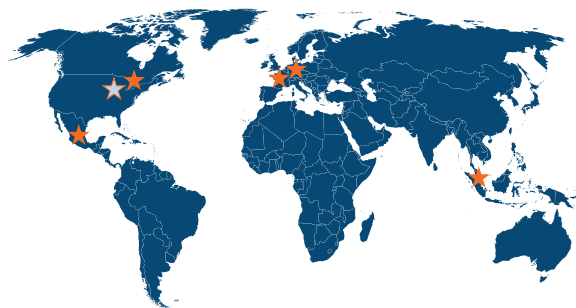
Karl-Heinz-Beckurts-Straße 7
52428 Jülich,
Germany
+49 (0) 2461/93767-0
info.europe@dorner.com

Dorner – France

8 rue des Frères Caudron
78140 Velizy-Villacoublay
France
+33 (0)1 84 73 24 27
info.france@dorner.com

Dorner – Asia

128 Jalan Permatang Damar Laut, Bayan Lepas 11960
Penang, Malaysia
+604-626-2948 | info.asia@dorner.com



dornerconveyors.com