

Simple & Clean Stainless
Steel Construction

Multiple Curves,
Inclines & Declines

Industry Best
Product Transfers

High Speed Performance
– Up to 250 FPM



AquaGard[®] 7100 SERIES CONVEYORS

The Next Generation in Stainless
Flexible Chain Conveyors!

DORNER[®]
By Columbus McKinnon

AquaGard® 7100 SERIES

7100 Series Conveyors are Best for:

- Packaging
- Bottling
- Dry Food Processing
- Secondary Packaging
- Inclines, Declines & Curves
- Part Handling
- Transfers
- Long Lengths
- Elevation Changes
- Accumulation
- Buffering

Sizes & Measurements

Chain Width	114 mm (4.5 in)	190.5 mm (7.5 in)	254 mm (10 in)	305 mm (12 in)
Frame Width	127 mm (5 in)	205 mm (8 in)	267 mm (10.5 in)	317.5 mm (12.5 in)
Max Part Width	241 mm (9.5 in)	317.5 mm (12.5 in)	381 mm (15 in)	432 mm (17 in)
Max Length	30.5 m (100 ft)			

Loads & Speeds

- Loads up to 317.5 kg (700 lbs)
- Speeds up to 101 m/min (222 ft/min)

Flexible Chain Types

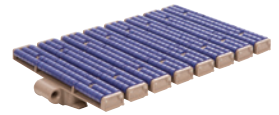
- Standard
 - Low Friction
 - Friction Insert
 - Roller Top
- Specialty
 - Metal Chain
 - Grip Top Chain
 - Cleated Chain



Low Friction



Friction Insert

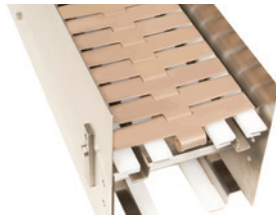


Roller Top

Guiding Options



Fully Adjustable



Stainless High Sides

Adjustable Outboard Guides Also Available

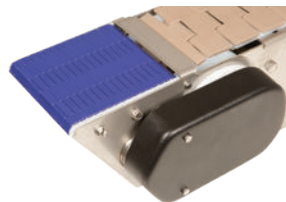
Stands

- Fixed Foot Support Stands
- Stainless Steel, 2B Finish
- Durable Welded 7 ga Construction
- Incline Mount Version for Angled Applications
- Other Options Also Available



Transfers

- Industry-Best Transfers
- Multiple Mounting Configurations



Powered Transfer



Roller Transfer

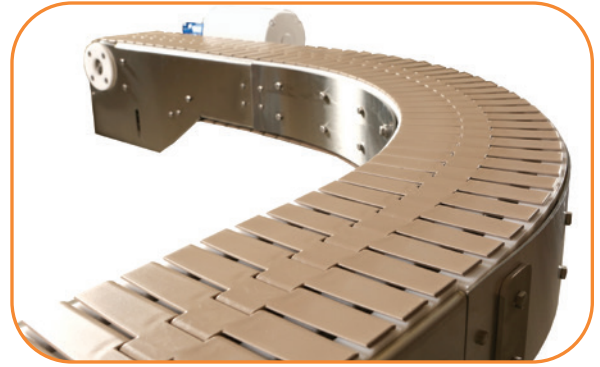


Side to Side Transfer



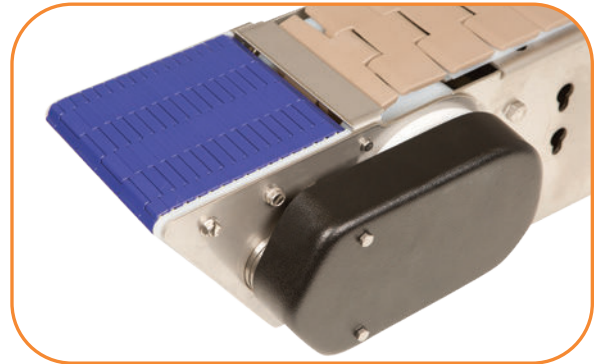
Clean & Innovative Design

- Smooth frame design for ease of cleaning
- Capable of multiple curves as well as inclines and declines on a single conveyor
- Plain bend corners with 610 mm (24 in) on centerline radius use FDA approved oil impregnated wear strips
- Inclines and declines available up to 30 degrees
 - Incline angles are integrated into the intermediate modules



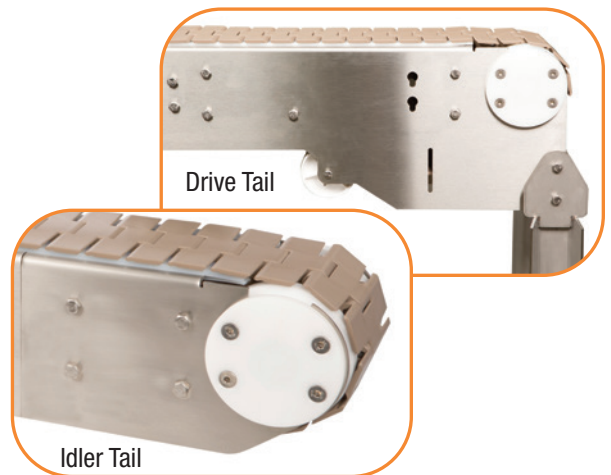
Innovative Transfer Options

- Powered Transfers
 - Provides smooth in line transfer of small parts
 - Series driven off of drive or idler module
 - Transfers parts as small as 76 mm (3 in) in diameter
- Standard Tails Side to Side Transfer
 - Side by side drive / idler tail
 - 25 mm (1 in) from chain edge to edge
- Side Transfer Modules
 - Intermediate module that brings chain past the frame edge
 - 3 mm (1/8 in) from chain edge to edge



Compact Drive Module & Idler Tail

- Idler Tail
 - 305 mm (12 in) long
 - Bearings are located inboard
 - Flush design for side transfers
 - Sprocket comes standard for added shaft or powered transfer
- Drive Tail
 - 610 mm (24 in) long with a 127 mm (5 in) diameter sprocket
 - Catenary belt take-up with sight gauge
 - Motor can be mounted to the side or underneath



The Benefits of a Dorner AquaGard 7100 Series Conveyor

Industry Ready

- 300 Series Stainless Steel frame
- All materials are FDA approved plastics and Stainless Steel

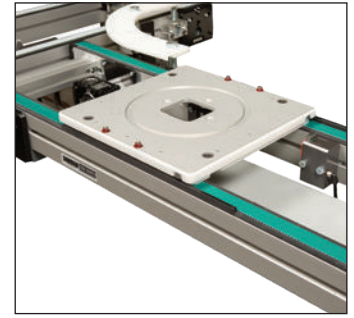
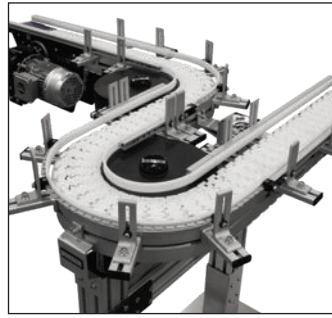
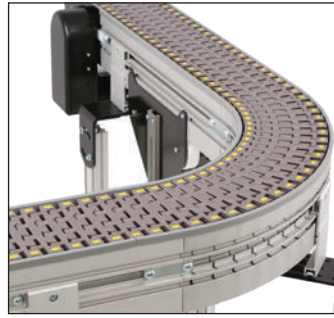
Quality Construction

- FDA approved oil impregnated wear strips on curves
- Bolt together construction for modularity and future add-ons

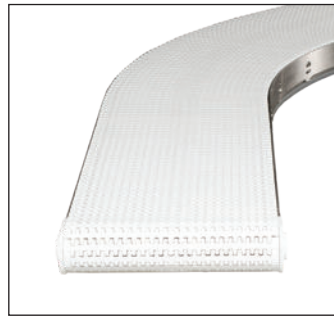
Time Saving

- Dorner's online configurator engineers simple or complex conveyors to meet your needs in minutes
- The industry leading tool delivers a complete 3D CAD assembly model for instant validation of fit
- 7100 Series conveyors are shipped in sub-assemblies for fast and simple installation

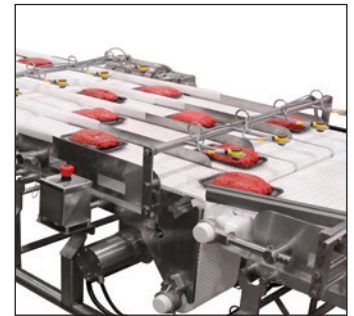
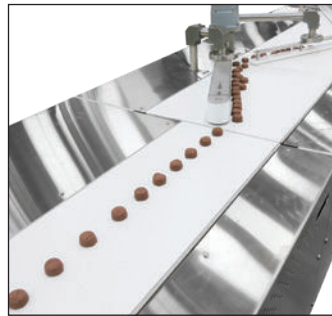
Industrial & Automation Conveyors



Sanitary Conveyors



Engineered Solutions



Parts & Service



Online Configurator



Warranty



TRANSFORMING CONVEYOR AUTOMATION

Dorner – North & South America

Dorner Mfg. Corp.
Hartland, WI
USA
+1-262-367-7600
info@dorner.com

Dorner Conveyors Ltd.
Burlington, Ontario
Canada
+1-289-208-7306
info@dorner.com

Dorner Latin America, S. de R.L. de C.V.
Zapopan, Jalisco
Mexico
+52.33.30037400
info.latinamerica@dorner.com

Dorner – Europe

Dorner GmbH
Jülich
Germany
+49 (0) 2461/93767-0
info.europe@dorner.com

Dorner SARL
Velizy-Villacoublay
France
+33 (0)1 84 73 24 27
info.france@dorner.com

Dorner – Asia

Dorner (M) Sdn. Bhd.
Penang
Malaysia
+604-626-2948
info.asia@dorner.com

DORNER®

By Columbus McKinnon

dornerconveyors.com

© Dorner Mfg. Corp. 2023. All Rights Reserved.
851-768 Rev. D 0723