

Fast and Effective
Cleaning Capability

Open Frame
Tool-less Design

Innovative Staggered
Sidewall Belts

Quick Belt
Change



*Aqua***Pruf**[®]
VBT

**VERTICAL BELT
TECHNOLOGY**

Sanitary Vertical Belt Conveyors
for Elevating Bulk Products

DORNER[®] 

AquaPruf Vertical Belt Technology is best for:

Elevating bulk product such as:

- Vegetables
- Fruits, Grains and Nuts
- Popcorn
- Pet Foods
- Pharmaceuticals
- Small packages

Industries:

- Food
- Pharmaceutical
- Chemical

Applications:

- Elevation for walk-thru
- Hopper feeding
- Weigh scale feeding
- General bulk handling
- Sanitary environments

Sizes

Lengths – Infeed and Exit

- Minimum length: 20 in
- Maximum length: 72 in
- Length increments: 1/8 in

Heights

- Minimum infeed TOB: 16 in
- Minimum outfeed TOB: 72 in
- Maximum outfeed TOB: 240 in
- Height increments: 1/8 in

Belt Width (in)	Pocket Width (in)	Full Pocket Capacity (cubic ft)	½ Full Pocket Capacity (cubic ft)
12	6.3	0.022	0.011
14	8.3	0.029	0.014
16	10.3	0.036	0.018
18	12.3	0.043	0.022
20	14.3	0.051	0.025
22	16.3	0.058	0.029
24	18.3	0.065	0.033

Speeds

- Belt Speed up to 100 ft/min

Belting

- Solid Urethane Belting with 2 in pitch positive drive lugs
- 3.5 in Tall RF welded scoop cleat
- 3.5 in tall RF welded staggered sidewall
- Pocket Spacing
 - Minimum: 6 in
 - Maximum: 18 in
 - Spacing Increments: 2 in
- Modular Belt version also available. Contact factory for details.



Modular Belt version also available.

Maximum Product Capacity

Belt Width (in)	Pocket Width (in)	At 50 ft/min Belt Speed and 6 in Spacing:			At 100 ft/min Belt Speed and 6 in Spacing:		
		Full Pocket (cubic ft/hour)	2/3 Full Pocket (cubic ft/hour)	1/2 Full Pocket (cubic ft/hour)	Full Pocket (cubic ft/hour)	2/3 Full Pocket (cubic ft/hour)	1/2 Full Pocket (cubic ft/hour)
12	6.3	130	86	65	260	173	130
14	8.3	173	115	86	347	231	173
16	10.3	217	144	108	434	289	217
18	12.3	260	173	130	520	347	260
20	14.3	303	202	151	607	405	303
22	16.3	347	231	173	694	463	347
24	18.3	390	260	195	781	520	390

Open Frame/Tool-Less Sanitary Design

- Continuous TIG welded 304 stainless steel frame
- #4 Polish on all surfaces
- Open frame and tool-less design for ease of cleaning
- Drive Gearmotor located on main column outside food drop zone



Staggered Sidewall Belt

- Staggered Sidewall Belt provides 15% more pocket capacity than a traditional sidewall belt
- Self-Releasing Sidewall improves product release
- Consistent RF Bonded Staggered Sidewall with 80% less bond area
- Staggered Sidewalls can be individually and easily repaired if damaged
- Clean through Side Wall Design improves clean-ability and reduces cleaning time and water usage



Quick Belt Change

- Quick Change open frame design allows belt change in approximately 20 minutes
- Tool-less removal of idlers and belt supports
- Loose belt drops down main column
- No belt tensioning needed

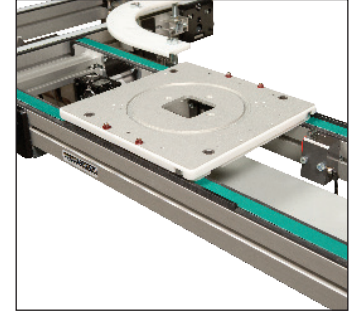
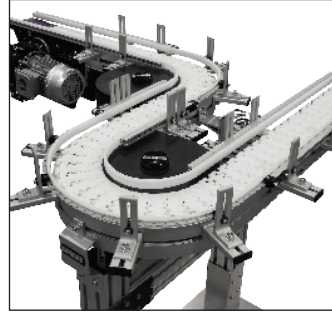
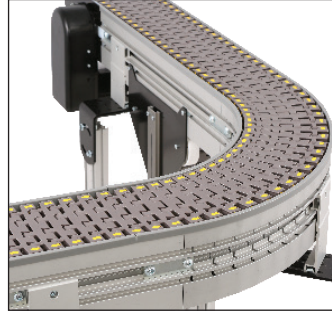
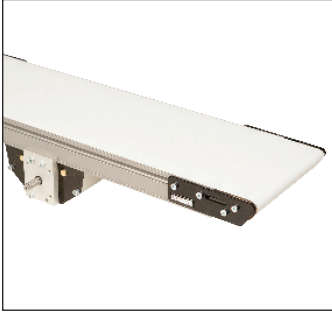


The Benefits of a Dorner AquaPruf Vertical Belt Technology

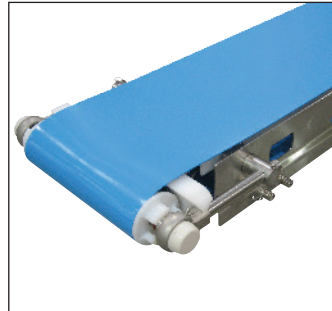
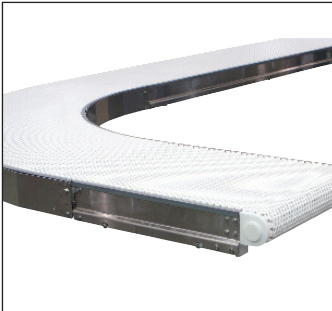
- **Innovative Offering**
 - Open frame design for quick cleaning and more effective product changeover
 - New, unique staggered sidewall belt improves pocket capacity
 - Quick belt change in approximately 20 minutes
- **Delivers Fast**
 - Dorner sets the industry standard for rapid delivery
 - Customizable product sizes available in 25 days or less
- **Industry Ready**
 - Designed and manufactured to food equipment standards
 - FDA Approved and USDA Certified Food Safe belt material
 - Motor located on main column outside of food drop zone

Transforming Conveyor Automation

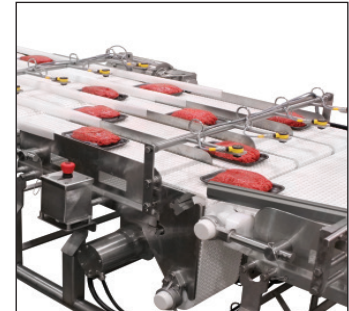
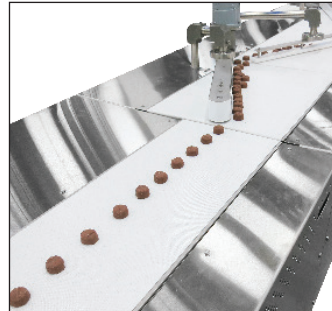
Industrial & Automation Conveyors



Sanitary Conveyors



Engineered Solutions



Parts



Service

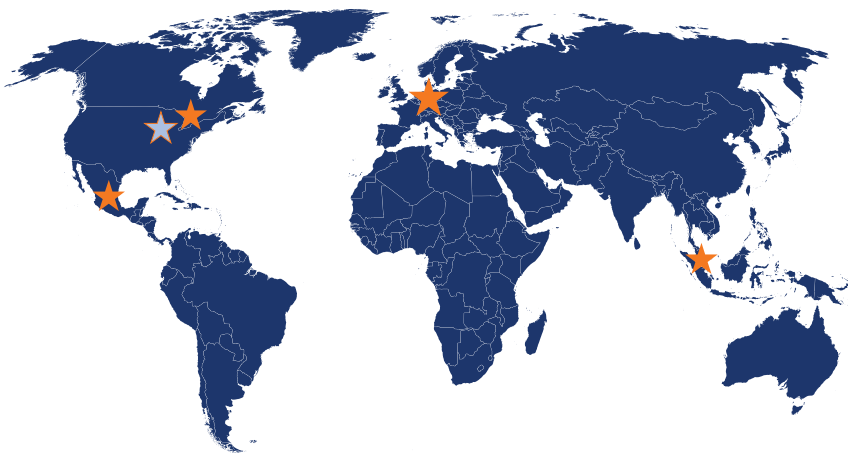


Online Configurator



Warranty

www.dorner.com



Dorner – North & South America

Dorner – U.S.A.

Headquarters

975 Cottonwood Ave
Hartland, WI 53029, USA
(800) 397-8664
(262) 367-7600
info@dorner.com

Dorner – Canada

100-5515 North Service Road
Burlington, Ontario L7L 6G6
Canada
(289) 208-7306
info@dorner.com

Dorner – Latin America

Carretera a Nogales #5297, Nave 11.
Parque Industrial Nogales
Zapopan, Jalisco C.P. 45222 México
+52.33.30037400 | info.latinamerica@dorner.com

Dorner – Europe

Karl-Heinz-Beckurts-Straße 7
52428 Jülich, Germany
+49 (0) 2461/93767-0 | info.europe@dorner.com

Dorner – Asia

128 Jalan Permatang Damar Laut, Bayan Lepas 11960
Penang, Malaysia
+604-626-2948 | info.asia@dorner.com